

ConnectPort[®] WAN Family

Multifunction 3G Wireless WAN Routers

Upgradeable 3G routers provide high performance, secure wireless communications over cellular networks for connecting remote sites and devices.



Overview

The ConnectPort WAN family of upgradeable, commercial-grade 3G cellular routers provides secure high speed wireless connectivity to remote sites and devices. The routers can be used for primary wireless broadband network connectivity to equipment at remote locations, as well as for a backup to existing landlines. Applications include utilities, industrial automation, POS/retail, financial (ATMs), traffic, medical, vehicle, video surveillance and others.

Its upgradeable wireless network platform design provides the flexibility to migrate quickly to future 3G platforms and beyond with supported Type 2 PCMCIA Card slots, PCI Express modules or PCI Express cards. Also included are RS-232 serial ports for connecting serial devices and built-in 10/100 Ethernet port(s) for connecting multiple network devices.

Digi products can be easily managed via the iDigi™ hosted platform, which provides secure, scalable connectivity for remote management and control of remote devices.

Target Markets



Utilities



Industrial Automation



Retail/POS

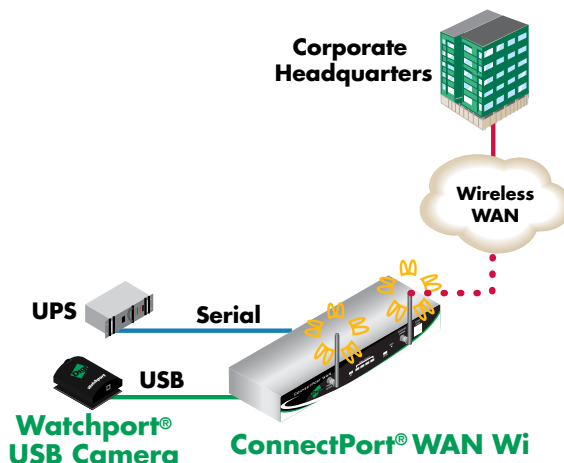


Traffic Management



Medical/Healthcare

Application Highlight



Features/Benefits

- Secure Wireless WAN connection over high-speed cellular networks
- Certified by multiple wireless carriers (see website)
- CDMA EV-DO Rev. A or GSM HSPA/UMTS support
- Upgradeable via enclosed PCMCIA or PCI Express modules
- Standard Ethernet, serial and USB ports; optional Wi-Fi and GPS
- Integrated VPN support
- Python development environment



Features Comparison



ConnectPort® WAN VPN

- 3G high speed upgradeable Wireless WAN cellular router with four 10/100 Ethernet ports, 2 RS-232 serial ports and integrated IPsec VPN client/server for true end-to-end data protection.

ConnectPort® WAN GPS

- 3G high speed upgradeable cellular router with GPS capability.
- Provides secure wireless connectivity to remote sites and devices.
- Allows efficient tracking of mobile workforce location.

ConnectPort® WAN Express

- 3G high speed upgradeable Wireless WAN cellular router with integrated IPsec VPN client/server for true end-to-end data protection.
- Support for PCI Express Cards/fully enclosed for security and durability (PCI Express Card antenna ported to standard SMA connector on outside of enclosure).

ConnectPort® WAN Wi (Ad Hoc)

- 3G high speed upgradeable cellular router with support for Wi-Fi (802.11b/g) technologies.
- Provides secure high speed wireless connectivity to remote sites and devices.
- Operates in Wi-Fi ad hoc (or peer-to-peer) mode to provide local networking as well as the ability to act as an Internet gateway for multiple devices.

Specifications

ConnectPort® WAN VPN

ConnectPort® WAN Wi

ConnectPort® WAN GPS

ConnectPort® WAN Express

Interfaces

Ethernet				
Ports	4 RJ-45 switch ports	1 RJ-45 switch port	1 RJ-45 switch port	4 RJ-45 switch ports
Standard	IEEE 802.3			
Physical Layer	10/100Base-T			
Data Rate	10/100 Mbps (auto-sensing)			
Mode	Full or Half duplex			

Serial				
Ports	2 RS-232 DB-9M	1 RS-232 DB-9	1 RS-232 DB-9	2 RS-232 DB-9M
Throughput	Up to 230 Kbps			
Signal Support	TXD, RXD, RTS, CTS, DTR, DSR, DCD			
Flow Control	Hardware and Software			

USB	
Ports	2 Type A connectors (see www.digi.com for list of supported USB devices)

Cellular (Upgradable Interfaces)	
PCI Express Module	Rev A EV-DO (Sprint/Verizon): DualBand 800/1900 MHz with RX Diversity 3.6 HSDPA: UMTS/HSDPA/HSUPA 850/1900/2100 MHz; GSM GPRS/EDGE 850/950/1800/1900 MHz
PCI Express Card	Sony Ericsson EC400 / EC400g Antenna: 1 or 2 external 50 ohm female SMA connectors (see model # at www.digi.com for antenna count)

Wi-Fi	
Standard	IEEE 802.11b/g
Frequency	2.4 GHz
Data Rate	Up to 54 Mbps with automatic rate fallback
Transmit Power	15 dBm ± 2 dBm
Receiver Sensitivity	-71 dBm @ 54 Mbps; -81 dBm @ 11 Mbps; -88 dBm @ 6 Mbps; -93 dBm @ 1 Mbps
WLAN Security	64/128-bit WEP encryption (RC4); WPA/WPA2/802.11i; 128-bit TKIP/CCMP (AES) encryption; Enterprise mode (802.1x): LEAP (WEP only), PEAP, TTLS, TLS; GTC, MD5, OTP, PAP, CHAP, MSCHAP, MSCHAPv2, TTLS-MSCHAPv2; Pre-shared key mode (PSK)
Antenna	1 external 50 ohm male SMA connector

GPS	
Accuracy	2.5 m CEP
NMEA Protocol Support	148 dBm acquisition sensitivity
Acquisition Time	36 seconds (on cold start)
Update Rate	4 Hz max
Antenna	1 external 50 ohm male SMA connector

Features	
Network Protocols	UDP/TCP, DHCP
Status LEDs	Ethernet, Power on, Cellular link/activity, Signal strength (4 bars)
Software	Device-initiated patented RealPort COM port redirector and RFC 2217; Python scripting; Custom development environment
Security	SSL, SSL/TLS, SSHv2, FIPS 197 (serial port)
Dimensions (L x W x H)	7.75 in (19.7 cm) x 4.11 in (10.40 cm) x 1.30 in (3.30 cm)
Weight	1.40 lb (0.64 kg); 1.50 lb (0.68 kg) with a module

Specifications

ConnectPort® WAN VPN

ConnectPort® WAN Wi

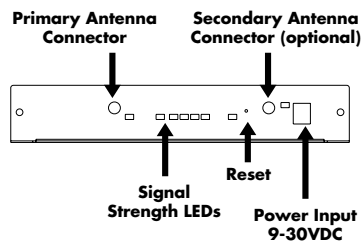
ConnectPort® WAN GPS

ConnectPort® WAN Express

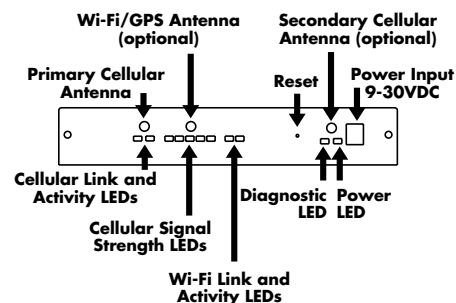
Features - Continued

Router/Firewall Features	NAT, NAT-T (NAT traversal) VPN tunneling, Port forwarding, Access control lists (IP filtering), IP pass-through, Virtual Router Redundancy Protocol (VRRP) per RFC 3768
VPN Features	IPsec with IKE/ISAKMP; Multiple tunnel support; DES, 3DES and up to 256-bit AES Encryption, Simple Certificate Enrollment Protocol (SCEP) for X.509 certificates; VPN pass-through, GRE Pass-through, NAT-T
Management	HTTP/HTTPS, CLI or SSH, Telnet; Optional secure enterprise management via iDigi
Power Requirements	
Power Input	9-30VDC
Power Supply	12VDC power supply for 0° C to 60° C (32° F to 140° F) with locking barrel connector included; Extended temperature power supply available
Power Consumption	Idle: 3.1W; Max: 11.5W
Surge Protection	4 kV burst (EFT) per-4-4; 2 kV surge per EN61000-4
Environmental	
Operating Temperature	-30° C to +75° C (-22° F to +167° F) (reduced cellular performance will occur above 60° C) NOTE: Only applicable to devices shipping with embedded module
Relative Humidity	5 to 95% (non-condensing)
Ethernet Isolation	1500VAC min per IEEE 802.3/ANSI X 3.263
Serial Port Protection (ESD)	+15 kV air gap and +8 kV contact discharge per IEC 1000-4-2
Approvals	
Safety	UL 60950, CSA 22.2 No. 60950, EN60950
Emissions/Immunity	CE, FCC Part 15 Subpart B Class A, AS/NZS CISPR 22, EN55024, EN55022 Class A
Mobile Certifications - CDMA/EV-DO	CDG, TIA/EIA-690, TIA/EIA-98-E
Mobile Certifications - GSM/UTMS	PTCRB, NAPRD.03, GCF-CC, R&TTE, EN 301 511

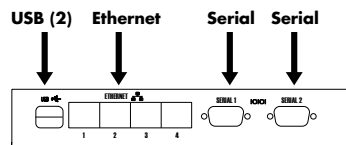
ConnectPort WAN VPN/Express - Front



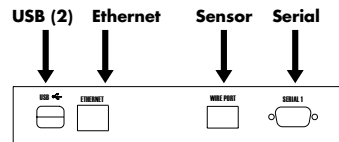
ConnectPort WAN Wi/GPS - Front



ConnectPort WAN VPN/Express - Back



ConnectPort WAN Wi/GPS - Back



Visit www.digi.com for part numbers.

DIGI SERVICE AND SUPPORT - You can purchase with confidence knowing that Digi is here to support you with expert technical support and a strong five-year warranty. www.digi.com/support

Digi International
877-912-3444
952-912-3444
info@digi.com

Digi International France
+33-1-55-61-98-98
www.digi.fr

Digi International KK
+81-3-5428-0261
www.digi-intl.co.jp

Digi International (HK) Limited
+852-2833-1008
www.digi.cn



91001355
D3/710

BUY ONLINE • www.digi.com

© 2005-2010 Digi International Inc. Digi, Digi International, the Digi logo, the Making Wireless M2M Easy logo, ConnectPort, Digi Connect, Digi SureLink, iDigi, RealPort and Watchport are trademarks or registered trademarks of Digi International Inc. in the United States and other countries worldwide. All other trademarks are the property of their respective owners. All information provided is subject to change without notice.

